

OPERATION, PARTS AND SAFETY MANUAL



SIGNODE®

VT-32

TENSION-WELD®
STRAPPING TOOL

IMPORTANT!
DO NOT DESTROY

**It is the customer's responsibility to
have all operators and servicemen
read and understand this manual.**

Contact your local Signode representative
for additional copies of this manual.

READ ALL INSTRUCTIONS BEFORE OPERATING THIS SIGNODE PRODUCT

SIGNODE • 3620 WEST LAKE AVENUE • GLENVIEW, ILLINOIS 60025 U.S.A.

⚠️ WARNING

READ THESE INSTRUCTIONS CAREFULLY.

FAILURE TO FOLLOW THESE INSTRUCTIONS CAN RESULT IN SEVERE PERSONAL INJURY.

GENERAL SAFETY CONSIDERATIONS

1. STRAP BREAKAGE HAZARD.

Improper operation of the tool or sharp corners on the load can result in strap breakage during tensioning, which could result in the following:

- A sudden loss of balance causing you to fall.
- Both tool and strap flying violently towards your face.

Failure to place the strap properly around the load or an unstable or shifted load could result in a sudden loss of strap tension during tensioning. This could result in a sudden loss of balance causing you to fall.

Read the tool's operating instructions. If the load corners are sharp use edge protectors. Place the strap correctly around a properly positioned load.

- Positioning yourself in-line with the strap, during tensioning and sealing, can result in severe personal injury from flying strap or tool. When tensioning or sealing, position yourself to one side of the strap and keep all bystanders away.
- Using strap not recommended for this tensioner can result in strap breakage during tensioning. Use the correct Signode products for your application.

2. TRAINING.

This tool must not be used by persons not properly trained in its use. Be certain that you receive proper training from your employer. If you have any questions contact your Signode Representative.

3. EYE INJURY HAZARD.

Failure to wear safety glasses with side shields can result in severe eye injury or blindness. Always wear safety glasses with side shields which conform to ANSI Standard Z87.1 or EN 166.



4. FALL HAZARD.

Maintaining improper footing and/or balance when operating the tool can cause you to fall. Do not use the tool when you are in an awkward position.

5. CUT HAZARD.

Handling strap or sharp parts could result in cut hands or fingers. Wear protective gloves.



⚠ WARNING

6. TOOL CARE.

Take good care of the tool. Inspect and clean it daily, lubricate it weekly and adjust when necessary. Replace any worn or broken parts.

7. WORK AREA.

Keep work areas uncluttered and well lighted.

Several types of strap can be used with this tool. Use the correct Signode products for your application. If you need help contact your Signode Representative.

SAFETY PROCEDURES FOR TOOL OPERATION

Before using this tool, read its Operation and Safety instructions.

- Do not exceed the operating air pressures stated elsewhere in the manual.
- Use Signode's approved filter-regulator-lubricator unit (P-008559).
- Never operate a pneumatic tool with a bottled air or gas source.
- For tension adjustments, follow instructions in this manual. For all other adjustments, repairs or cleaning of the tool, disconnect air supply.
- This tool is a Tension Weld® type sealer. A properly made joint will appear as shown in the illustration. If the joint does not appear as shown, then the operator must proceed as follows:



- A. Insure that the tools operating instructions are being followed before applying another strap.
- B. Cut the strap off and apply another.

If the joint still does not appear as shown, then inspect the tool for worn and/or damaged parts. Replace tool parts as needed. **NEVER HANDLE OR SHIP ANY LOAD WITH IMPROPERLY FORMED JOINTS.** Misformed joints may not secure the load and could cause serious injury.

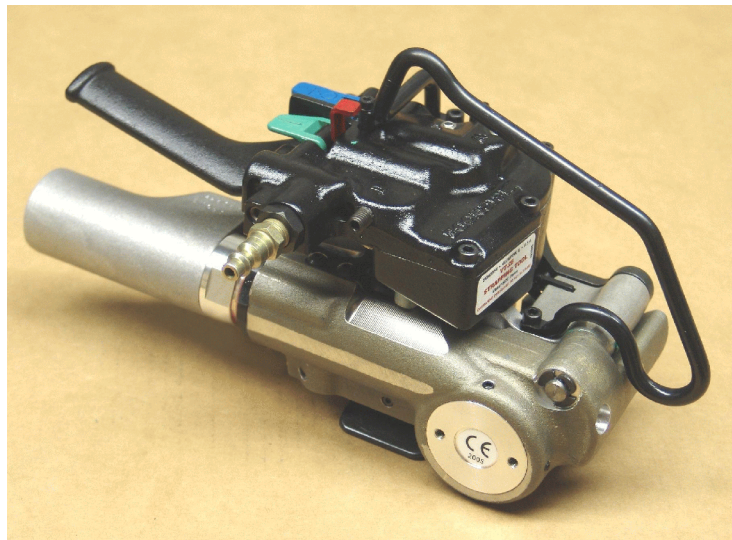
- Tuck strap end back into the dispenser when not in use.

CUTTING TENSIONED STRAP

Use only cutters designed for cutting strap; never use claw hammers, crowbars, chisels, axes or similar tools. Such tools will cause the strap to fly apart with hazardous force. Before using any Signode product, read its Operation and Safety Manual.

TABLE OF CONTENTS

	Page		Page
General Safety Instructions	2	Parts List, Tool	19
Specifications	4	Parts List, Air Motors	24
Major Components	5	Troubleshooting	27
Pneumatic Information	6	Maintenance	31
Operating Instructions	12	Tool Options	33
Adjustments	16		

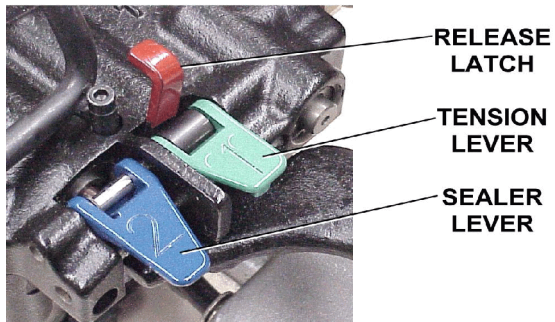
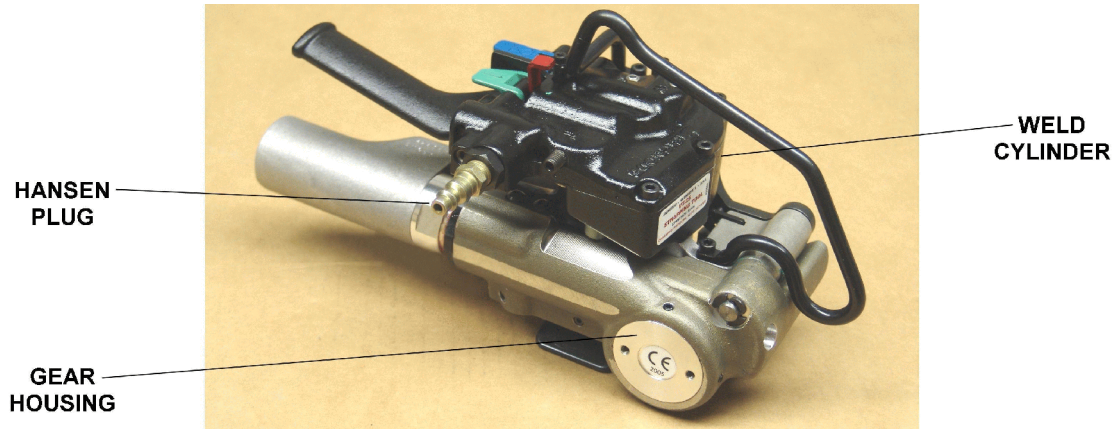
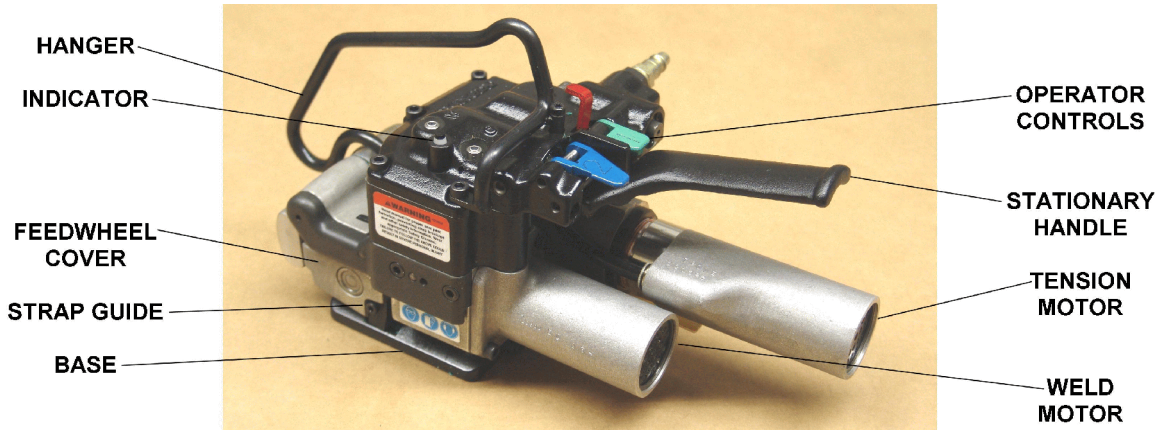


VT-32 Strapping Tool, Signode Part No. 428150

SPECIFICATIONS

MODEL	STRAP		
	TYPE	WIDTH	THICKNESS
VT-25 HD	HIGH STRENGTH TENAX	32mm	0.040" to 0.050" (1.0mm - 1.3mm)

MAJOR COMPONENTS



PNEUMATIC INFORMATION

AIR PRESSURE REQUIREMENTS

The VT tools are designed to operate at an air pressure of 90 psig (6.2 Bar).

AIR PRESSURE VS. PERFORMANCE

The air pressure supplied to the VT tool must be a minimum of 85 psig (5.7 Bar) If the air supply pressure can be adjusted within a range from 85 psi to 90 psi (5.7 - 6.2 Bar) the VT tool's performance can be fine tuned to a particular application or operation preferences. Changing the VT air supply pressure to the tool will directly alter the rate at which the tool will take-up the strap slack and the strap tension. Increasing or decreasing the VT air supply within the suggested 85 to 90 psig (5.7-6.2 Bar) range will not seriously affect the actual welding portion of the strap cycle.

After an initial "Break-In" period, the air motor may become more powerful. If the tool's performance is effected by this increase in performance, reduce the air motor output by turning the adjustment screw (Key 98) counter-clockwise as required.

AIR SUPPLY INSTALLATION

If compressor has a good dryer unit, use black pickled pipe. When a dryer unit is not installed, use galvanized or copper pipe. To perform reliably, a pneumatic tool requires a continuous source of clean, water-free air at adequate pressure.



A filter-regulator-lubricator (FRL) unit must be installed as close to the air tool as possible, preferably within 10 feet. It should be placed in a convenient location where it can easily be drained, adjusted, and filled with oil. The air hose must have at least a 1/2" I.D. A quick disconnect socket fitting is installed on the stress spring end of the hose for convenient hookup to the air tool.

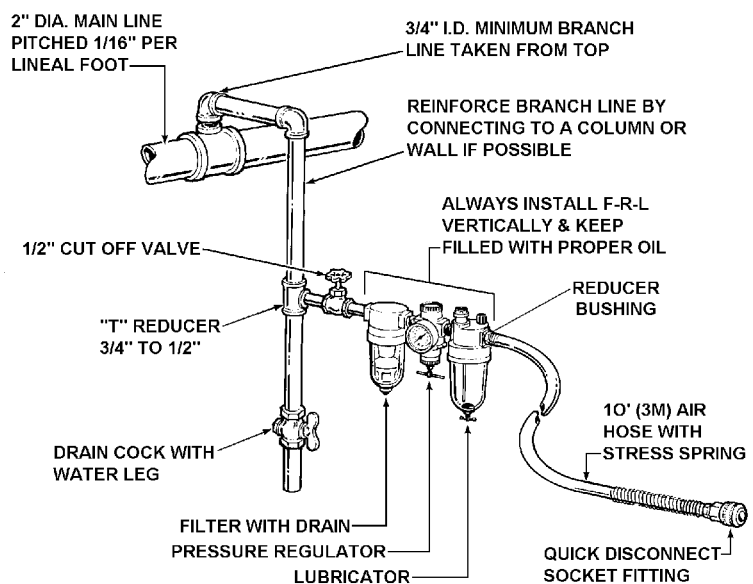
Filter-Regulator-Lubricator Unit, 1/2" NPT
(Signode Part No. 424773)

FRL Mounting Bracket
(Signode Part No. 071982)

Air Hose, 1/2" ID, 3/8" Fittings
(Signode Part No. 424774)

Quick Disconnect, 3/8" Fitting
(Signode Part No. 008569)

Reducer Bushing, 1/2" to 3/8"
(Signode Part No. 071632)



Filter and lubricator bowls are made of polycarbonate material. Do not install where bowls may be exposed to materials incompatible with polycarbonate. Certain oils, solvents, and chemicals or their fumes can weaken these bowls and possibly cause them to burst. Clean only with warm water. A cut-off valve placed ahead of the filter will be useful when cleaning the filter or replenishing the lubricator.

MOISTURE

Moisture is always present in air lines due to condensation within the lines as the air cools. Steps must be taken to remove this moisture and to keep it from the air tool. This is because water tends to wash away lubricants and cause corrosion, sticking and failure of internal parts.

The main line should be pitched so the far end terminates in a water leg. Branch lines are taken from the top of the main, never off the bottom. Every branch should have a water leg at its lowest point, with a drain cock which is drained daily.

If these precautions are taken and water is still present, an after cooler and a moisture separator are required between the compressor and the air receiver tank. A large air line separator can be installed in the air tool line, but precautions must be taken to insure that it will be drained daily, before the air tool is operated.

Water in air lines is a constant threat to the proper operation of air tool. Even near freezing operating conditions, a good refrigerant type dryer is essential. A good dryer will remove 95% or more of water right at the compressor. The remaining moisture is removed at the water leg in the piping system or in the filter (Part No. 008559).

NOTE: Additional information is available in the Signode publication, "Air Supply Manual" (Part No. 186038). If you have any questions, contact your local Signode Representative.

LUBRICATION

The air motor must be properly lubricated. This is achieved by keeping the air line lubricator filled with oil and correctly adjusted. Without proper lubrication, the motor will become sticky and the tool will give low and erratic tension and be difficult to release from the strap.

Install the lubricator as close to the air tool as possible. The arrow on the lubricator's top surface must point in the direction of air flow. For proper operation, oil must drop through the lubricator sight glass at a rate of 1 to 4 drops per minute. This rate is checked while the air tool is running free. Only 20% of this oil is actually delivered to the tool. The remaining oil drops back into the oil reservoir. The unit is factory set and should require no adjustment. If an adjustment is required, the adjusting screw on top of the lubricator may be turned as marked to reduce or increase the flow of oil.

The correct grade of oil must be used in the lubricator; too heavy an oil will not provide sufficient lubrication and will cause sticking and sluggish operation of the air tool. Recommended oils are any good grade of rust and oxidation inhibiting oil with a viscosity of 80-120 S.U.S. at 100 degrees Fahrenheit. (0.15 to 0.25 cm² /sec. at 38 degrees Celsius), such as:

Non Fluid Oil Co., grade #LS-1236

Signode oil - Part No. 008556

If necessary, use SAE #5 or SAE #10 non-detergent, cut 1 to 1 with kerosene.

NOTE: Some oils contain anti-wear additives which may disable the air motor. Be certain to use recommended oil.

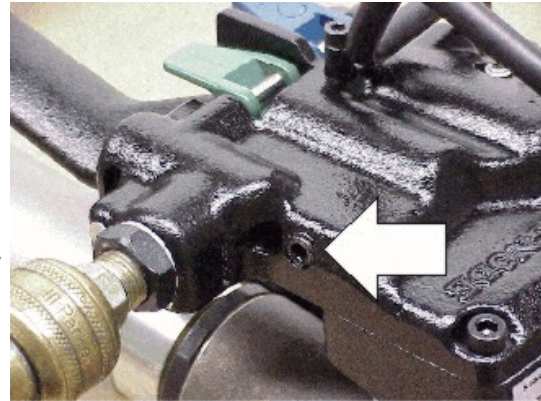
PNEUMATIC INFORMATION, Continued

Several drops of lubricator oil added to the inlet of the air motor or into the air line each day will help insure good operation. A noticeable reduction of air motor performance can usually be corrected by squirting a few drops of oil into the air line.

STRAP TENSION

Strap tension is controlled by turning the adjustment screw (Key 98) as shown by arrow, in 1/4 increment turns counter-clockwise to increase strap tension and clockwise to reduce strap tension.

NOTE: Operating air pressure must be set between 85 and 90 psi (5.7-6.2 Bar). With accurately controlled air pressure the tension will be uniform on all straps, provided the operator allows the air motor to stall.



⚠ WARNING

Strap breakage hazard.
Strap can break if inlet air pressure to tool exceeds 90 psig (6.2 bar).
Strap breakage can result in severe personal injury.
Maximum operating air pressure is 90 psig (6.2 bar).

AIR CONSUMPTION

Air consumption in cubic feet per minute (cfm) for the VT can be calculated as follows: $cfm = (a) \times (b) \times (0.40)$

a = Number of straps applied per minute.

b = Number of seconds motor is on per strap during tensioning, from start to deceleration to stall including stall time while making joint.

0.40 = VT efficiency ratio.

Example Calculation: Peak strapping load is 4 straps/min. so a = 4
Air motor is on 5 seconds/strap, so b = 5
VT efficiency ratio is 0.40

$(a) \times (b) \times (0.40) \rightarrow 4 \times 5 \times 0.40 = 8$ cubic ft/min.

$4 \times 5 \times 0.67 = 13.4$ cubic meters/hr. ($13.4M^3/hr.$)

Air pressure is assumed to be 90 psig (6.2 Bar) with recommended size and length of air hose. Volume of air is at room temperature and sea level pressure, or so-called "free air" conditions. For more detailed information about air supply systems refer to Signode manual Part No. 186038.

COLD WEATHER OPERATION

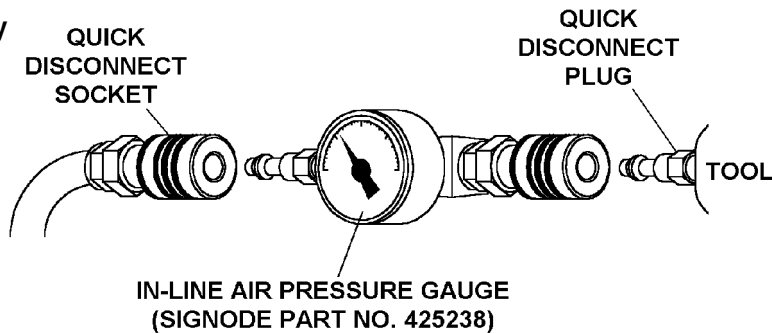
If a tool does not operate satisfactorily in freezing temperatures, certain steps can correct the problem. The following steps can be taken to improve cold weather operation of the tool:

- a. An air line dryer adjacent to the compressor.
- b. Use lubricant recommended by Signode. Signode has tested the use of anti-freezes, none work well in air tool; the tool will gum up when anti-freezes are introduced and will not function properly. The best lubricant for freezing weather is the 1 to 1 oil and kerosene combination.
- c. If possible, run the air supply line to a indoor located Filter-Regulator-Lubricator or relocate the F-R-L to a warmer operating area.

AIR PRESSURE DROP

Confirm air pressure calibration by comparing it to a master gauge placed in-line where the quick disconnect fitting attaches to the tool.

Air pressure at the tool can then be monitored as the tool cycles. Use the following information shown on the chart below for comparing the various minimum air pressures while the VT tool cycles.



If pressure readings fall below the minimums, inspect your air supply system as well as the tool for worn and/or broken parts. Contact your Signode representative if you have any questions.

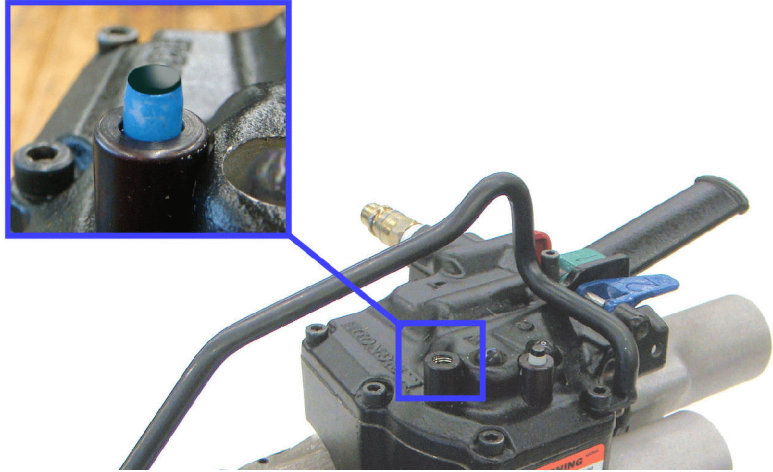
AIR LINE PRESSURE MINIMUMS FOR CYCLING TOOL

IN-LINE GAUGE READING PSI (BAR)			
SUPPLY/STATIC	TAKE-UP	STALL	WELDING
90 (6.2)	61 (4.1)	80 (5.4)	75 (5.2)

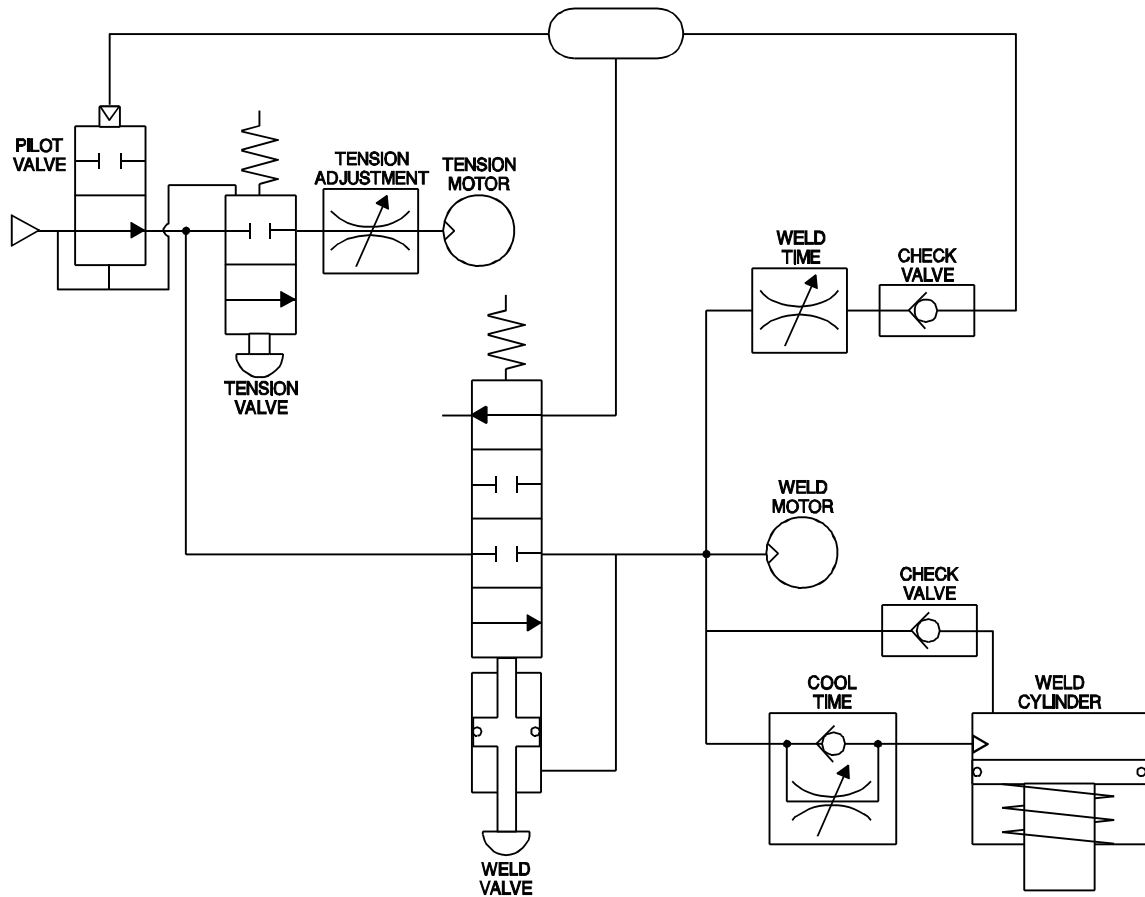
PNEUMATIC INFORMATION, Continued

AIR PRESSURE INDICATOR

The VT-32 is equipped with an air pressure indicator built into the tool. During the sealing step of the tool operation a Blue pressure indicator will pop up from the tool cover (as shown) indicating that there is at least 70psi of supply air pressure. If the indicator does not pop up check your air supply, regulator settings and supply hoses. It is not recommended to use a VT-32 that cannot be supplied with the minimum of 70 psi during use.



PNEUMATIC CIRCUIT DIAGRAM



OPERATING INSTRUCTIONS

WARNING

Wear safety glasses. Stand to one side of the strap when tensioning.
Make sure all bystanders are clear before proceeding.

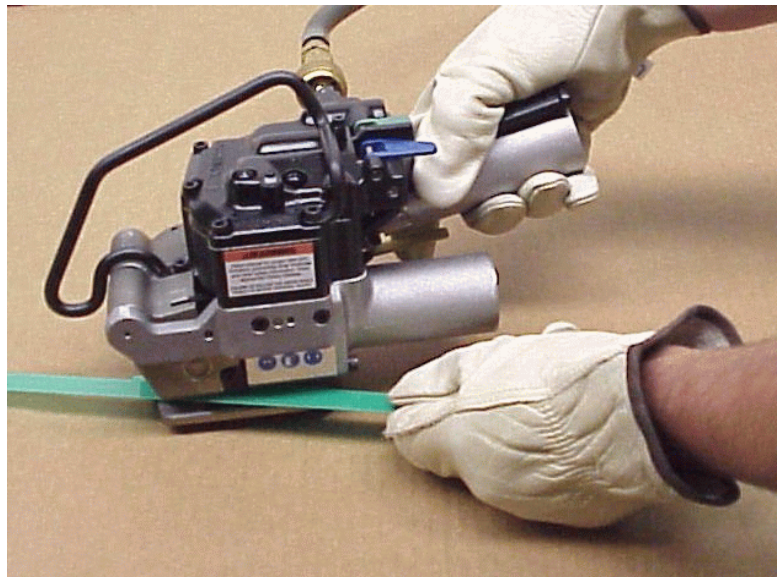
PLEASE NOTE: Do not operate tool without strap, as damage to the tool may occur.

1. With the dispenser placed behind you, bring the strap over the top and around the package, place the straps together and remove any excess slack.



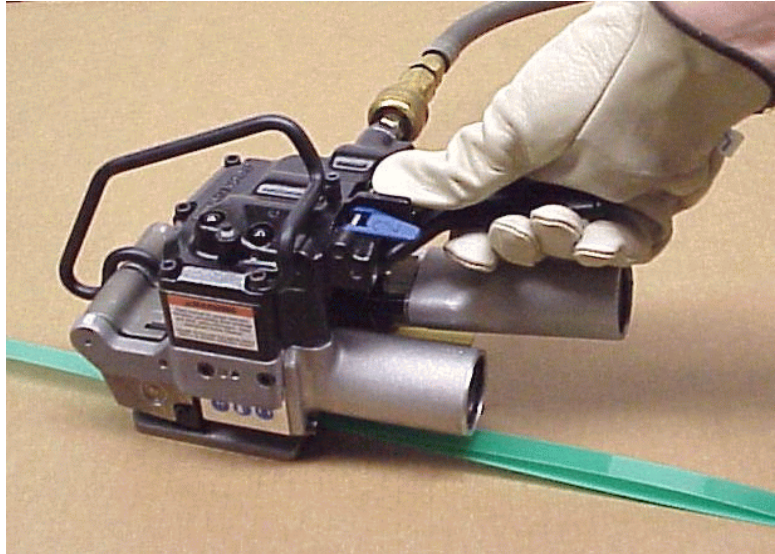
2. Using your right hand, squeeze the tension motor and stationary handle together to open the feedwheel and strap path. Using your left hand, insert the overlapped straps under the feedwheel and through the welding mechanism.

Leave only a short tail ahead of the feedwheel and make sure straps are aligned behind the tool. Do not make a joint over a void area of the package.



3. Recheck the strap alignment at the rear of the tool and realign if necessary. Release the tension motor.

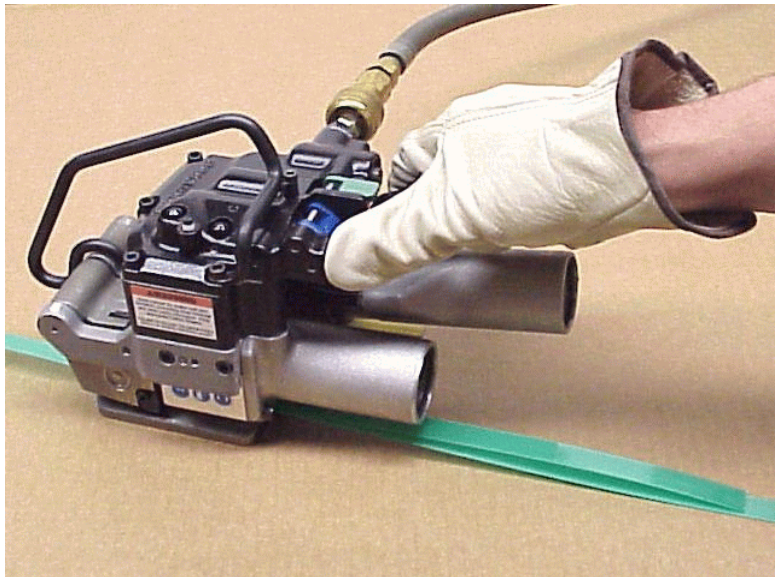
Press down the Green Tension Control Lever to begin tensioning the strap.



When the tension motor stalls, indicating completion of tension, release the control lever. The strap will remain tensioned around the package.

NOTE: If the strap alignment is unsatisfactory or the tool needs to be removed before sealing. First, move the Red tension release latch to the left to disengage the tension motor. Continue to remove the tool from the strap by first lifting up the tension release lever found on the bottom of the gear housing while squeezing the tension motor and stationary handle together to open the strap path.

4. Press the Blue Sealer Control lever to begin the sealing cycle.

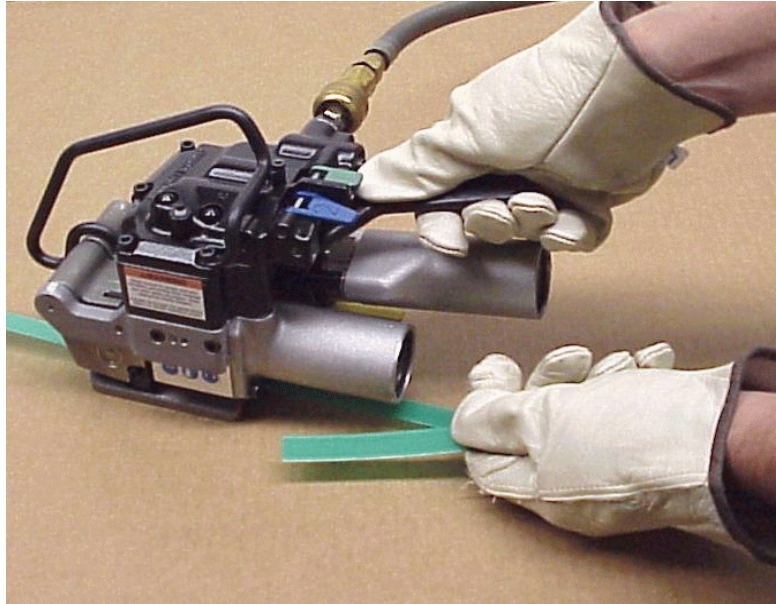


It is not necessary to continue holding the lever down once the weld cycle has started.

OPERATING INSTRUCTIONS, Continued

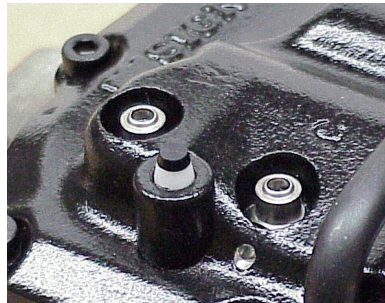
5. The internal weld timer is energized. The main piston brings the welding pads together and the strap is welded.

The supply end of the strap is then cut off. Pull the cut strap away from the tool during welding. The tool will continue through the weld cycle and stop automatically.

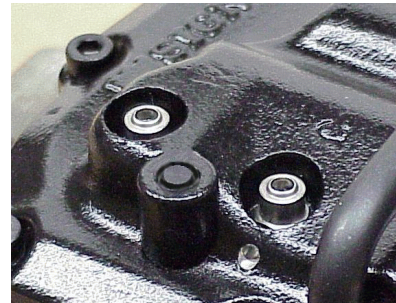


6. When the weld cycle has completed the weld mechanism slowly returns to the neutral position. This allows the newly welded strap joint to cool down properly. The tool can be easily removed once the weld mechanism has completely returned to the neutral position.

NOTE: The weld mechanism's return to the neutral position can be identified by the indicator located on the top of the tool. When the indicator is in the down position the weld mechanism is still engaging the strap. When the indicator is in the up position the weld mechanism has returned to the neutral position. The tool can then be easily removed from the strap.

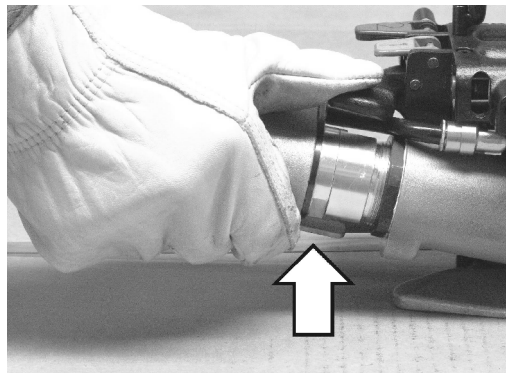


INDICATOR IN THE UP POSITION
(NEUTRAL)



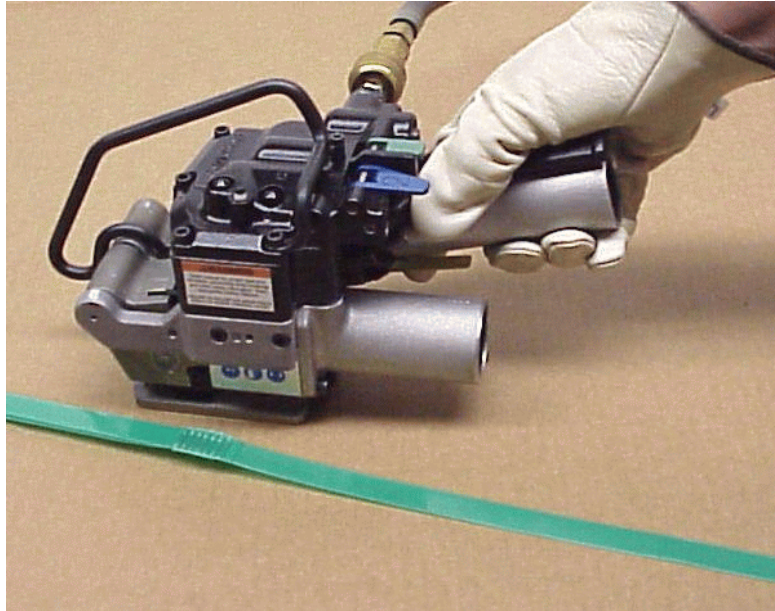
INDICATOR IN THE DOWN POSITION
(ENGAGED)

Remove the tool from the strap by first lifting up the tension release lever found on the bottom of the gear housing while squeezing the tension motor and stationary handle together to open the strap path.



NOTE: Failure to wait for the weld mechanism to return to the neutral position may lead to an improperly formed joint which may lead to joint separation and make tool removal difficult.

7. Swing the tool out from the completed strap joint. Inspect the joint to make sure the straps have been properly welded.



STRAP JOINT INSPECTION

This tool is a Tension Weld® type sealer. A properly made joint will appear as shown in the illustration. If the joint does not appear as shown, then the operator must proceed as follows:

1. Insure that the tool operating instructions are being followed before applying another strap.
2. Cut the strap off and apply another.

A good weld will show some material displacement along the edges. The welded area should extend the full length and width of the gripper impression.



If the joint still does not appear as shown, then inspect the tool for worn and/or damaged parts. Replace tool parts as needed. **NEVER HANDLE OR SHIP ANY LOAD WITH IMPROPERLY FORMED JOINTS.** Misformed joints may not secure the load and could cause serious injury.

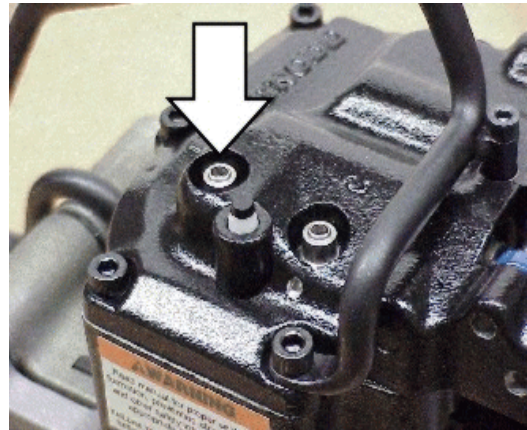
TOOL ADJUSTMENTS

WELDING TIME

Weld time has been factory adjusted to provide acceptable weld strength when using High Strength Tenax (polyester) type strap. Weld time may need to be adjusted due to air supply differences, tool wear, etc. Adjustments are made by turning the adjustment screw, located on the cover plate, using a small screwdriver. Turn the screw clockwise to increase weld time and counterclockwise to decrease weld time.

Establishing the correct weld time is a matter of trial and error and should be conducted as follows.

1. Remove the cap which protects the adjustment screw. Adjust the screw in 1/8 to 1/4 turn increments only.
2. Apply a strap and make a weld.
3. Compare the weld made with the illustrations shown on page 13 of this manual. A good weld will displace some material along the outer edges of the joint.
4. If you are unable to produce an acceptable joint or if you have any questions as to whether your tool is producing good weld strength, contact your Signode Sales Representative.
5. Replace the cap over the screw.



LOCATION OF WELD TIME ADJUSTMENT

WELD COOLING TIME

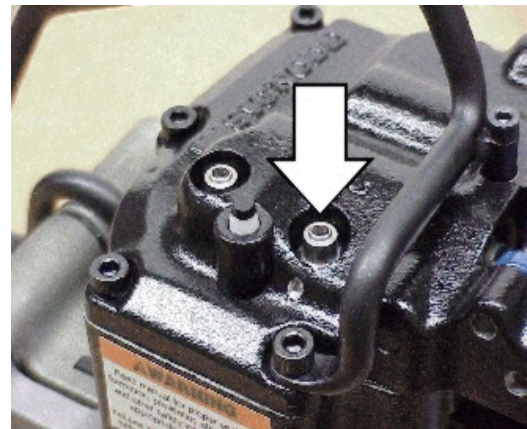
Cool time has been factory adjusted to allow the proper time for a weld to properly cool. The cool time adjust controls how fast or slow the main piston bleeds off air pressure allowing the weld pads to separate from one another.

Cool time may also need to be adjusted due to air supply differences, tool wear, etc. Adjustments are made similar to weld time. Turning the screw clockwise increases cool time and counterclockwise to decrease cooling time.

Establishing the correct cool time is a matter of trial and error and should be conducted as follows.

1. Remove the cap which protects the adjustment screw. Adjust the screw in 1/8 to 1/4 turn increments only.
2. Apply a strap and make a weld.
3. A properly adjusted cool time should allow the strap joint to cool for approximately three to five seconds.

NOTE: Cool time which is too short may lead to strap joint separation.
4. Replace the cap over the screw.



LOCATION OF COOL TIME ADJUSTMENT

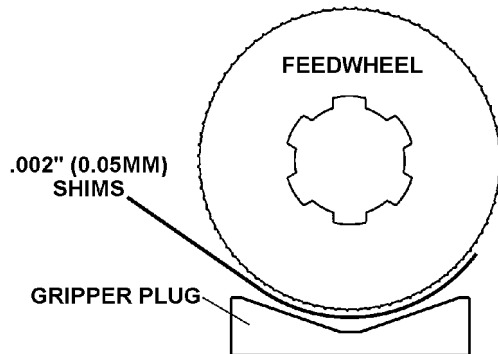
FEEDWHEEL TO GRIPPER PLUG

The feedwheel to gripper plug clearance may require readjustment if the feedwheel or gripper plug has been replaced. The feedwheel clearance should also be inspected during routine tool maintenance procedures. Adjust the feedwheel clearance as follows:

1. Squeeze the tension motor and stationary handle together to open the feedwheel gap. Place multiple (4 to 8) layers of .002", 1/2" wide (.05 x 12mm) shim stock between the feedwheel and the gripper plug.

NOTE: Do not use a single shim such as .008" (.20mm) as thicker shims may not conform to the feedwheel shape, resulting in inaccurate clearance measurements.

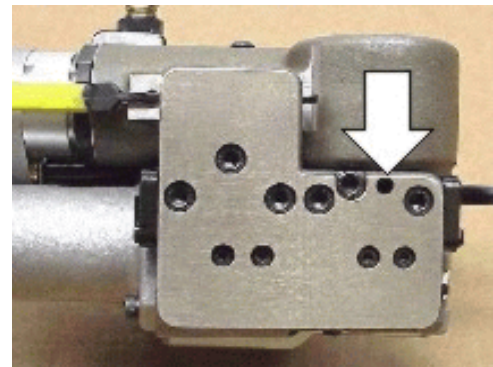
2. Release the tensioner motor to pinch the shims between the feedwheel and the gripper plug. Holding the shims with one hand, jog the tension motor on and off to rotate the feedwheel at least one full revolution. If properly adjusted the tool should lightly tug at the shims while rotating. Clearance between the feedwheel and gripper plug at this point should fall between .008" to .016" (.20mm to .40mm).



3. If the feedwheel needs to be adjusted, use a 3mm hex wrench to turn the adjustment screw which can be accessed through the bottom of the tool base.

NOTE: On VT-16 BRK tool the bottom wear plate must first be removed to access the adjustment screw.

Turn the adjustment screw clockwise for greater clearance and counter-clockwise for less clearance. Turn the adjustment screw only in 1/8 turn increments. After each 1/8 turn, repeat the adjustment testing as described in step 2.



FEEDWHEEL ADJUSTMENT SCREW LOCATION (ARROW)

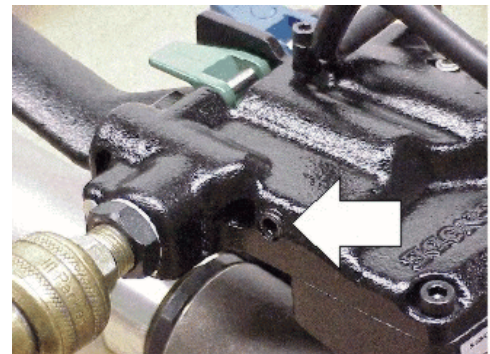
4. Once the proper clearance has been found the tool can be returned to service.

NOTE: Never turn out the adjustment screw more than 1/8 turn at a time without testing or completely remove the adjustment screw. These actions will severely damage both the feedwheel and gripper plug.

STRAP TENSION

Strap tension is controlled by turning the adjustment screw (Key 98) as shown by arrow, in 1/4 increment turns counter-clockwise to increase strap tension and clockwise to reduce strap tension. Use the 4mm hexwrench (Signode Part No. 274467) included with every new tool.

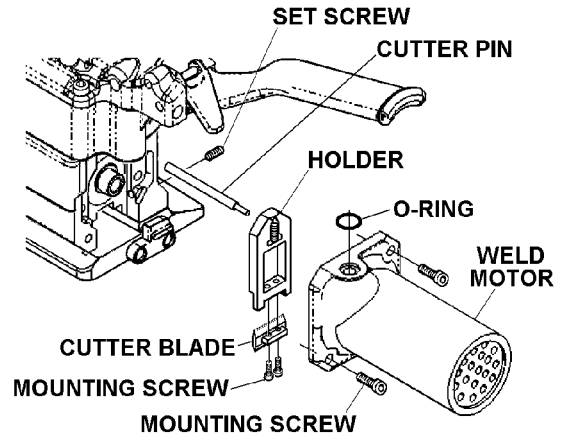
NOTE: Operating air pressure must be set between 85 and 90 psi (5.7-6.2 Bar). With accurately controlled air pressure the tension will be uniform on all straps, provided the operator allows the air motor to stall.



TOOL ADJUSTMENTS, Continued

STRAP CUTTER

The VT strap cutter has two serrated cutting edges. After the first edge has become dull or strap cut-off becomes difficult the blade can be remounted to use the second cutting edge. Once both edges have become worn the blade should be replaced. Use the instructions below to remount, install and adjust a new cutter blade.



1. Remove the two mounting screws which secure the air motor to the tool body. Remove the weld motor from the tool by turning the motor counter-clockwise to release the O-ring which seats on the top of the motor.

NOTE: The small spring contained in the holder does not need to be removed to change the cutter blade.

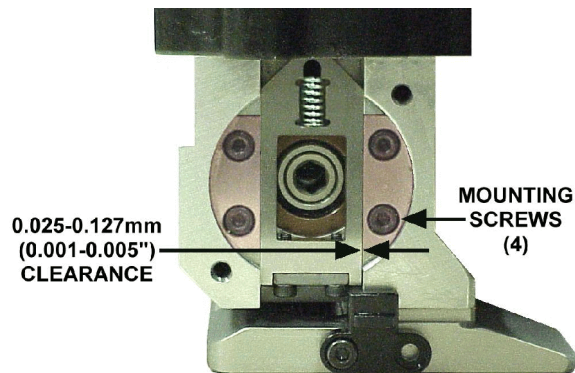
2. The cutter blade group of parts can now be removed from the tool. Continue to also remove the cutter pin from the tool.
3. Remove the two smaller screws which mount the cutter blade to the holder. Rotate the cutter blade to the new cutting edge and reinstall the mounting screws.

NOTE: If both cutting edges are worn replace the cutter blade at this point.

4. Reinstall the cutter group of parts back into the tool. Before installing the cutter pin inspect the cutter holder movement within the tool.
 - A. The holder should move freely up and down in the tool body. If the holder does not move freely inspect the tool for debris or damage.

NOTE: If the holder has been replaced it may also be necessary to adjust the clearance of the two cutter guides.

- B. The holder should not be able to move from side to side. Excessive side to side clearance will result in poor strap cut-off. If the holder does move side to side, loosen the four mounting screws which secure the side guides. Move the guides as needed to obtain a 0.025mm to 0.127mm (0.001"-0.005") clearance.



- C. Tighten the mounting screws.

5. Once the cutter holder has been inspected and adjusted, continue to reinstall the remaining parts in the order that they were removed.
6. Run a few test cycles on the tool to confirm that the strap cut-off performs properly.

PARTS LIST

<u>KEY</u>	<u>QTY</u>	<u>PART NO</u>	<u>DESCRIPTION</u>
1	1	425648	OIL SEAL
2	1	008734	BEARING FAFNIR B-542
3	6	010035	SHCS M6 X 18 LG
4	14	011214	SHCS M5 X 16 LG
5	1	426146	ROLLER BEARING
6	1	020704	HANSEN PLUG L-15
6A	1	015293	SOCKET L-15
7	1	020728	O-RING SAE # 007
8	8	022789	O-RING SAE # 016
9	1	425645	O-RING SAE # 123
10	2	023552	BALL BEARING
11	5	023446	O-RING SAE # 012
12	1	024631	FILTER ASSEMBLY
13	1	069177	O-RING SAE # 038
14	1	091354	O-RING SAE # 330
15	5	091624	O-RING SAE # 010
16	2	092747	O-RING SAE # 018
17	1	092772	O-RING SAE # 014
18	1	094295	O-RING SAE # 008
19	1	177721	SHSS M6 X 16 LG W / LG LCK
20	2	181261	DOWEL PIN 5 X 10 LG
21	2	259935	SHCS M3 X 12 LG
23	6	276191	SHCS M4 X 10 LG
24	1	278994	SHCS M4 X 45 LG
25	1	NA	CE LABEL
26	1	286373	3 ICON SAFETY LABEL
27	3	292467	BHCS M5 X 8 LG
28	4	424555	BEARING GARLOCK MB 1012 DU
29	2	306335	RETAINING RING TRUARC N5000-37
30	1	423493	DOWEL PIN 5 X 16 LG
31	1	423582	CAMOZZI CARTRIDGE 6700-5
32	2	423889	BEARING GENERAL 6001-2RS
33	1	426155	TENSION MOTOR
34	1	426151	BEARING SLEEVE
35	1	425641	PINION
36	1	428156	FEEDWHEEL SHAFT
37	1	425644	BEARING CAP
38	1	428142	GEAR HOUSING (MACH)
40	1	426885	O-RING SAE # 015
41	1	426886	O-RING SAE # 027
42	1	166063	SHCS M5 X 20 LG
47	1	423909	FEEDWHEEL
48	1	428145	TENSION GRIPPER (MACH)
50	1	428147	LOWER WELD GRIPPER (MACH)
51	1	428155	FRAME (MACH)
52	1	428140	BASE (MACH)
53	1	424560	CUTTER INSERT HOLDER
54	1	424397	SUPPORT BAR
55	1	423921	HANDLE
56	1	423922	CUTTER PIN
57	1	423923	PISTON
58	1	423924	SPRING (O & G)
59	1	423925	VIBRATOR ARM
60	1	428143	OUTER LINK
61	1	423932	SPRING LEE # LC-036G-1
62	1	428149	UPPER WELD GRIPPER
63	1	424764	ECCENTRIC SHAFT
64	1	428226	CYLINDER HOUSING

<u>KEY</u>	<u>QTY</u>	<u>PART NO</u>	<u>DESCRIPTION</u>
65	1	423937	PIVOT PIN
66	1	423938	SPACER
67	1	423940	BEARING TORRINGTON # M881
68	3	423942	RETAINING RING KLIPRING # 5304-43
69	1	428223	SPRING # LC-042C-5M
70	1	423944	SPRING # LC-038D-17
71	1	423945	SPRING # LC-042D-17
72	1	423947	SEAL VALVE STEM
73	2	423998	INNER GUIDE
74	1	428152	SUPPORT SHAFT
75	1	423960	TENSION LEVER
76	1	423961	SEAL LEVER
77	1	423962	PISTON
78	1	424567	TENSION VALVE STEM
79	1	423964	SEAL VALVE SLEEVE
80	2	423965	LEVER PIN
81	1	426120	TUBE, 127MM
82	1	423967	DOWEL PIN 8 X 32 LG
84	1	423969	SHSS M5 X 10 LG CUP POINT
85	4	423970	SHCS M4 X 5 LG
86	1	428144	GUIDE PLATE (VT-32)
87	1	428213	WELD MOTOR ASSEMBLY
88	2	423981	FLOW CONTROL CAMOZZI SCU-602-M5
89	1	423982	PILOT VALVE COVER
90	1	510454	NAMEPLATE (VT-32)
91	1	423994	BEARING INA NK 16/16
92	1	423995	O-RING SAE # 124
93	2	423996	RETAINING RING KLIPRING # 5304-37
94	2	423997	BEARING INA HK0808
95	1	423999	DOWEL PIN 5 X 22 LG
96	3	424375	RETAINING RING 19 X 1.0 DIN 472
97	1	424376	CHECK VALVE ASSEMBLY
98	1	424380	ADJUSTMENT SCREW
99	1	426119	WORM GEAR
100	1	424566	TENSION VALVE SLEEVE
101	1	424383	HANGER ASSEM. HORIZ/VERT
102	2	424392	RETAINING RING CIRCLIP 4 X 0.7
103	1	424490	INDICATOR
104	1	428218	COVER ASSEMBLY
105	1	424493	SPRING # LC-040E-13
106	1	424550	PILOT VALVE ASSEMBLY
107	2	424552	CAP
108	1	423953	WARNING LABEL
109	1	428154	OUTER GUIDE(32)
110	1	428153	CUTTER INSERT (32)
111	2	424495	CUTTER GUIDE
112	1	036414	1/4, 90° STREET ELBOW
113	1	424568	RELEASE LATCH
114	1	424570	SPRING
115	1	424564	PIN
116	1	424563	SPACER
117	1	424762	O-RING, SAE #106

CAUTION

Only use valve cartridge (Key 106), Signode Part No. 424550. Cartridges can be identified by the OEM code "D2073" marked on the back surface of the part.

<u>KEY</u>	<u>QTY</u>	<u>PART NO</u>	<u>DESCRIPTION</u>
120	1	023443	NEEDLE BEARING, TORRINGTON #M591
121	1	426113	OIL SEAL
122	1	425646	EXTERNAL RETAINING RING, 15.9MM
123	1	426125	WEAR PLATE
124	4	251299	DOWEL PIN, 4 X 12
125	1	425145	NEEDLE BEARING, HK-0608
126	1	425137	SPACER, M6
127	1	425642	WORM
128	1	425647	THRUST RING
129	1	264434	EXTERNAL RETAINING RING, 15MM
130	1	426150	INTERNAL RETAINING RING, 20.6MM
132	1	423151	WASHER
133	1	299975	DOWEL PIN, 3 X 8
134	4	426154	IDLER GEAR
135	1	425636	RING GEAR
139	1	424487	HOUSING GUARD
140	1	424756	WEAR RING
141	1	428221	PRESSURE INDICATOR
142	1	428228	SPRING LEE #LC032E-16M
143	1	427999	CUTTER SPACER

- When ordering parts please indicate tool model, part number and description.
- Recommended spare parts are underlined and should be stocked.
- Common hardware parts can be obtained at any local hardware supply.

NOTES:

1. For optimum tool performance, fill gear housing (Key 38) one-third full of Red Mobilith SHC 007 Grease (Signode Part No. 425239).
2. Install Key 99 (Worm Gear) with the shoulder side facing the gear housing.
3. Install Key 120 (Needle Bearing) flush with rear wall of gear housing as shown in Figure "A" below.
4. Key numbers 124, 125, 126 and 127 can be order together as Signode Part Number 426159.
5. Install Key 125 (Needle Bearing) in to Key 127 (Worm Gear) bottomed out against Key 126 (Spacer) as shown in Figure "B" below.

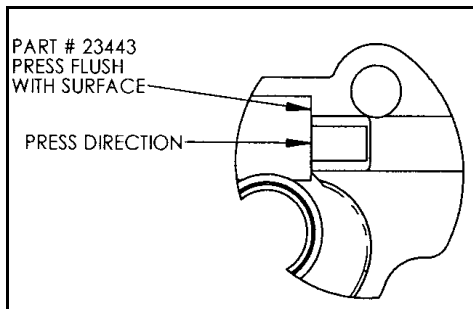


FIGURE - A

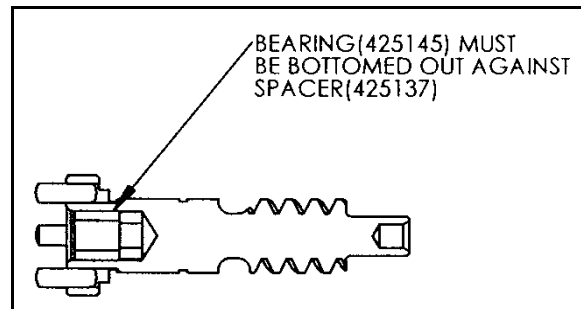
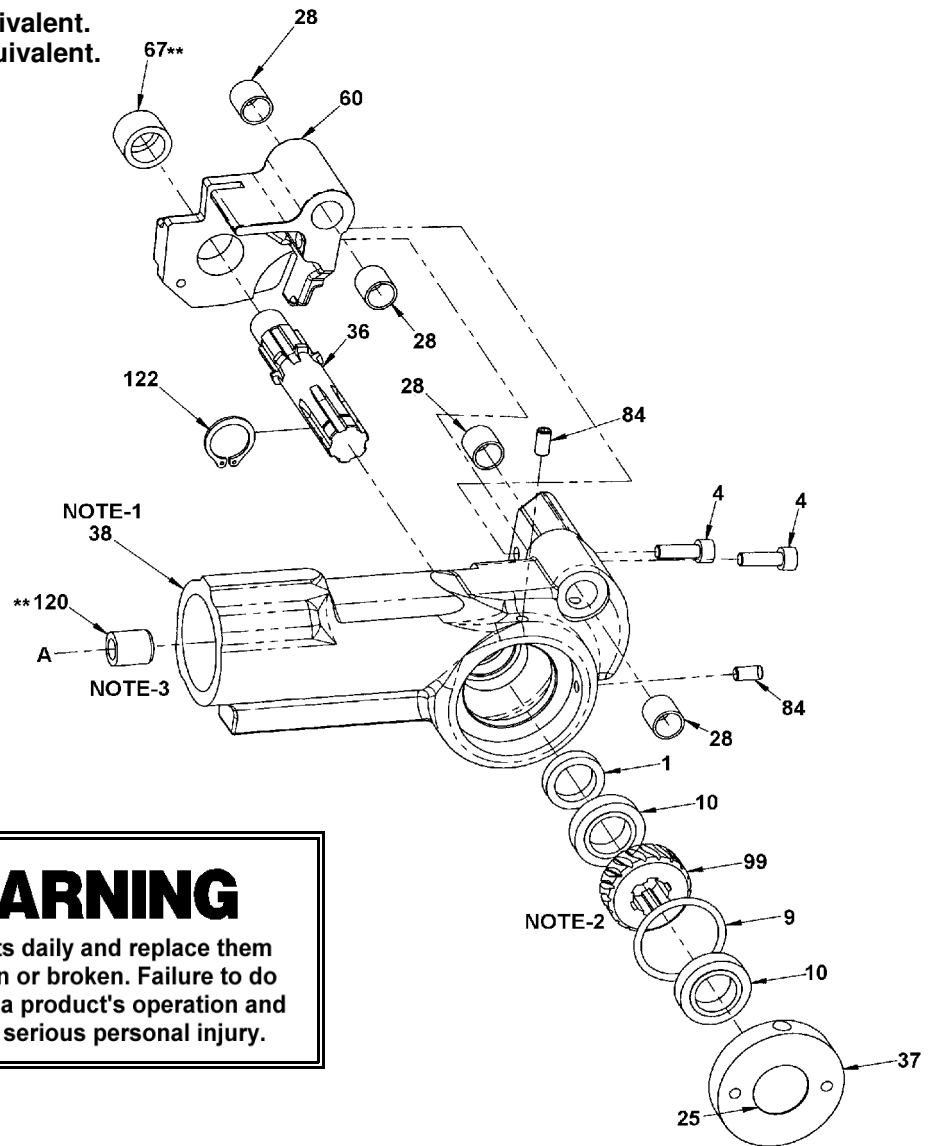
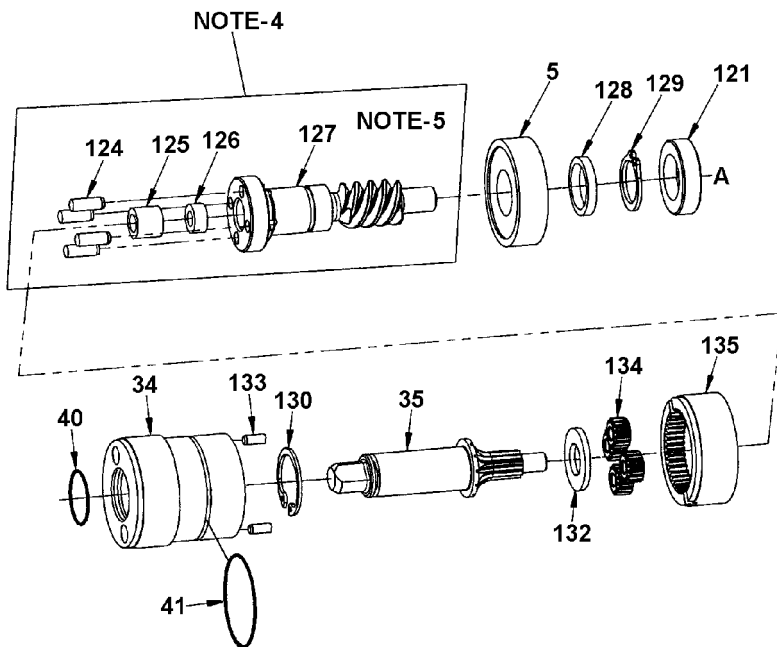


FIGURE - B

* Use Loctite #242 or equivalent.
 ** Use Loctite #609 or equivalent.

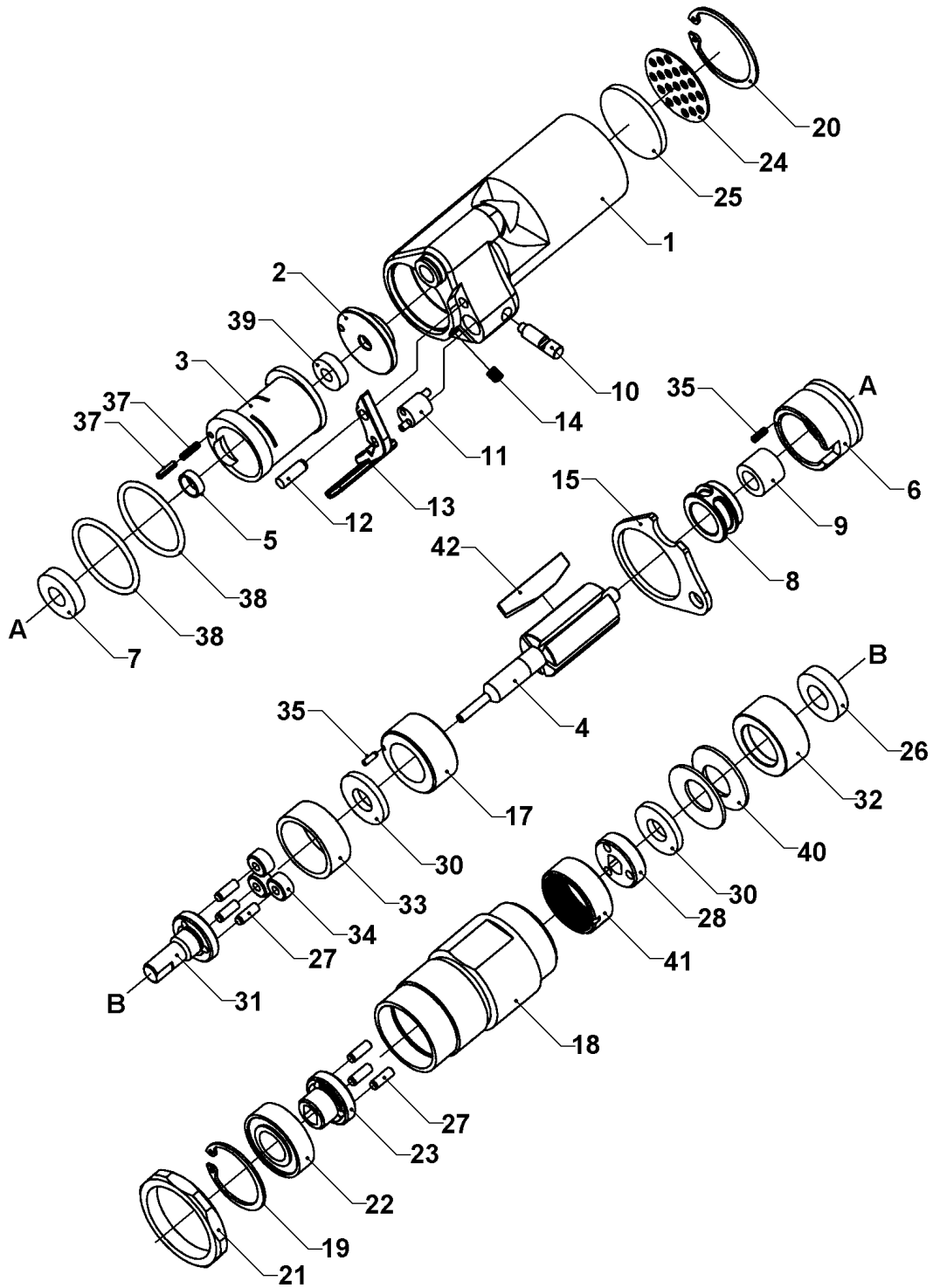


WARNING
 Inspect all parts daily and replace them if they are worn or broken. Failure to do this can affect a product's operation and could result in serious personal injury.



PARTS LIST, TENSION MOTOR 426155

<u>KEY</u>	<u>QTY</u>	<u>PART NO</u>	<u>DESCRIPTION</u>
1	1	426124	MOTOR HOUSING
2	1	424154	BACK END PLATE
3	1	422815	CYLINDER
4	1	425468	ROTOR
5	1	024602	SPACER
6	1	425469	FRONT END PLATE
7	1	023481	BALL BEARING
8	1	426602	BRAKE
9	1	426145	ROLLER CLUTCH
10	1	426128	RELEASE PIN
11	1	426127	ECCENTRIC
12	1	423493	Ø5 X 16 DOWEL PIN
13	1	426611	LEVER(MACH)
14	1	426138	LEVER SPRING
15	1	426126	COVER PLATE
16	1	423582	CAMOZZI CARTRIDGE
17	1	426605	SPACER 15mm
18	1	426137	MOTOR GEAR HOUSING
19	1	080315	32mm INT. RET. RING (TA# N5000-125)
20	1	424162	RETAINING RING
21	1	424166	LOCK NUT
22	1	023547	BALL BEARING
23	1	425229	IDLER CARRIER (2ND)
24	1	424165	MUFFLER PLATE
25	1	424167	MUFFLER INSERT
26	1	306396	BALL BEARING
27	6	251299	Ø4 X 12 DOWEL PIN
28	1	424169	ADAPTER PLATE
29	1	422870	RING GEAR
30	2	423151	WASHER
31	1	425228	IDLER CARRIER (1ST)
32	1	424157	SPACER
33	1	024608	RING GEAR (1ST)
34	3	422815	IDLER (1ST)
35	1	090079	Ø1/16" X 1/4" DOWEL PIN
36	1	423845	Ø3/32" X 5/16" DOWEL PIN
37	2	424164	Ø2.5 X 10 ROLL PIN
38	2	424172	O-RING SAE# 125
39	1	424161	BALL BEARING
40	2	014541	BELLEVILLE SPRING
41	1	422870	RING GEAR
42	5	024612	VANE

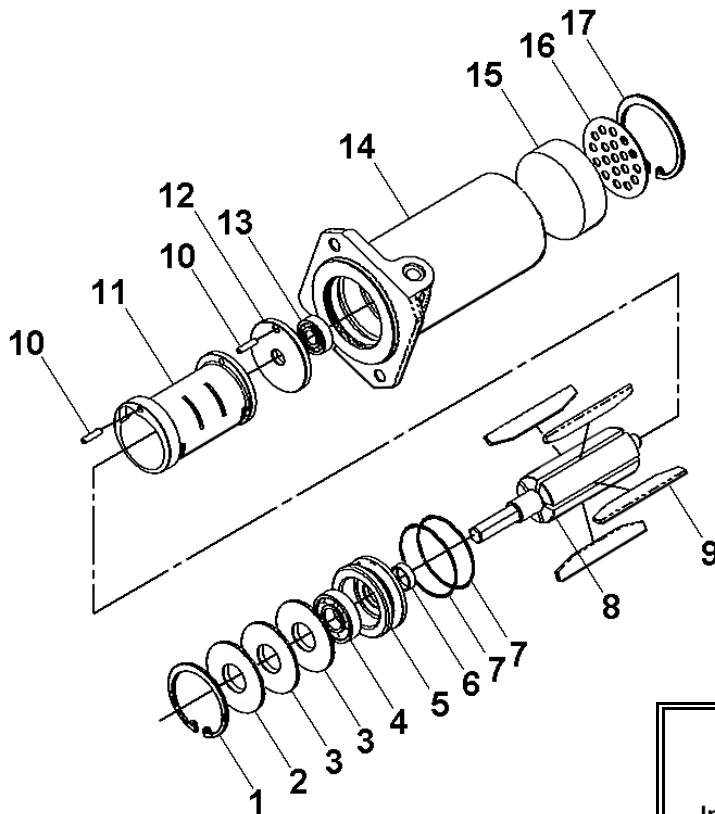


⚠ WARNING

Inspect all parts daily and replace them if they are worn or broken. Failure to do this can affect a product's operation and could result in serious personal injury.

PARTS LIST, WELD MOTOR 428213

KEY	QTY	PART NO	DESCRIPTION
1	1	080315	RETAINING RING
2	1	424181	FLAT WASHER
3	2	014541	BELLEVILLE WASHER
4	4	090118	BALL BEARING
5	1	423973	FRONT END PLATE
6	1	024602	SPACER
7	2	424172	O-RING
8	1	424174	ROTOR
9	1	422818	VANE
10	2	424164	LOCK PIN
11	1	422815	CYLINDER
12	1	424154	BACK END PLATE
13	1	424161	BALL BEARING
14	1	428157	MOTOR HOUSING
15	1	424167	MUFFLER INSERT
16	1	424165	MUFFLER PLATE
17	1	424162	RETAINING RING



⚠ WARNING

Inspect all parts daily and replace them if they are worn or broken. Failure to do this can affect a product's operation and could result in serious personal injury.

TROUBLESHOOTING

The following items are the most common types of tool malfunctions. For symptoms or remedies not shown, contact your Signode service representative for additional information and details. The following tool conditions are shown in this manual:

AIR SUPPLY

- #1 - The air motor is frozen.
- #2 - A leaking or sticking air valve.
- #3 - The tool runs sluggishly.

TENSIONING

- #4 - Feedwheel milling on strap and/or strap breaking.
- #5 - The top strap is being properly tensioned but the tool does not hold the bottom strap.
- #6 - The tool stops tensioning before maximum tension is reached (air motor continues to run).

WELDING

- #7 - A poor weld identified by an incomplete area of weld.
- #8 - Incomplete or no weld.
- #9 - Strap is over welded.
- #10 - Motor shut-off is sluggish.
- #11 - Strap weld time is erratic.
- #12 - Weld time is too long.

CUT-OFF ACTION

- #13 - The cut-off has become difficult.
- #14 - Weld strap is misaligned.

#1 CONDITION: The air motor is frozen.	
CAUSE	REMEDY
The motor is dry, hindering it from providing maximum performance.	Add several drops of oil into the motor through the air inlet. Hook the tool up to air, depress and hold the operating lever while gently tapping the motor with a rubber mallet. Repeat this procedure several times if necessary.

#2 CONDITION: Air valve leaking or sticking.	
CAUSE	REMEDY
Worn, damaged or dirty O-rings on valve assemblies.	Clean and lubricate the valve assemblies and the valve sleeve assembly. Replace the O-rings on the valve assemblies if necessary.

TROUBLESHOOTING, Continued

#3 CONDITION: The tool runs sluggishly.	
CAUSE	REMEDY
1. The air filter-regulator-lubricator is malfunctioning or is not properly maintained.	1A. Check the regulator to see that the correct air pressure is getting to the tool. 1B. Check to see the filter unit is clean and functioning properly. 1C. Examine the lubricator to see there is oil in the bowl and that oil is seen dripping from the sight dome as the tool operates. This assures the air motor is being properly lubricated.
2. The tool may run sluggishly due to a clogged or dirty motor filter screen due to a lack of properly filtered air supply.	2. Remove the Hansen plug at the inlet to the air motor and examine the filter screen in the filter assembly and clean it if necessary.
3. The tool may run sluggishly due to an improper air motor adjustment or a clogged or dirty vibrator assembly.	3. Clean vibrator parts as needed. Inspect vibrator eccentric for wear or damage. Replace as required.
4. The end plates, pinion teeth on the rotor and the rotor blades are worn, dirty or rusted.	4. Carefully remove the air motor from the tool and disassemble it. If these parts are only dirty, clean, thoroughly oil and reassemble. If they are worn or rusted, replace them.

#4 CONDITION: Feedwheel milling on strap and/or strap breaking.	
CAUSE	REMEDY
1. Feedwheel is clogged with dirt or strap residue.	1. Clean teeth on feedwheel with the cleaning brush (Signode Part No. 023963) provided.
2. Worn teeth on the feedwheel.	2. Replace the feedwheel.
3. Excessive or improperly set feedwheel to gripper plug clearance.	3. Adjust feedwheel gap as required.

#5 CONDITION: The top strap is being properly tensioned but the tool does not hold the bottom strap.	
CAUSE	REMEDY
1. The gripper plug may be packed with dirt or strap residue preventing the teeth from penetrating the strap.	1. Clean teeth on feedwheel with the cleaning brush (Signode Part No. 023963) provided.
2. Worn teeth on the gripper plug.	2. Replace the worn plug. Since the feedwheel and gripper plug are prevented from contacting one another by an inside shoulder on each part, it is not often these parts have to be replaced.
3. The tension release lever is being held while operating the tool.	3. Review the operating instruction shown in this manual.

#7 CONDITION: A poor weld identified by an incomplete area of weld.	
CAUSE	REMEDY
Welding is achieved by a combination of vibration and downward pressure of the upper gripper. Either a restriction of motion or a reduction of downward pressure will cause a poor weld.	Dismantle and clean the weld mechanism by brushing away the strap residue or washing the entire unit in a solvent. When a solvent is used it is imperative the assembly be blown dry to remove all solvent. Check for dry or worn bearings. Replace or lubricate as required. If the tool has been used extensively, examine the teeth on the upper and lower weld pads for wear. Replace if worn.

#8 CONDITION: Incomplete or no weld.	
CAUSE	REMEDY
1. Improperly set weld time adjustment.	1. Adjust weld time as required per instruction in this manual.
2. Worn teeth on upper or lower weld pads.	2. Replace as required.
3. Insufficient air supply pressure.	3. Remedy as required.
4. Worn o-ring on main piston.	4. Replace as required.

#9 CONDITION: Strap is over welded.	
CAUSE	REMEDY
Improper weld timing adjustment.	Decrease weld timing as needed.

#10 CONDITION: Motor shutoff appears sluggish.	
CAUSE	REMEDY
1. Air leakage in timing circuit.	1. Check o-rings and pneumatic components for leaks. Replace parts as required.
2. Dirty or very dry pilot valve (Key 106).	2. Remove, clean and lubricate the pilot valve using air line oil or replace if needed.
3. Dirty or very dry sealer valve stem (key 72).	3. Remove valve stem and inspect o-rings for damage. Replace o-rings as needed. Clean part and lubricate with EP Accrolube grease.

TROUBLESHOOTING, Continued

#11 CONDITION: Strap weld time is erratic.	
CAUSE	REMEDY
1. Air leakage in timing circuit.	1. Check o-rings and pneumatic components for leaks. Replace parts as required.
2. Dirty or very dry pilot valve (Key 106).	2. Remove, clean and lubricate the pilot valve using air line oil or replace if needed.
3. Weld time flow control (Key 88) is contaminated with debris or oil.	3. Remove part and clean using dry compressed air.

#12 CONDITION: Weld time is too long.	
CAUSE	REMEDY
Too much oil in the air supply system of the tool.	Purge the tool of all excess oil.

#13 CONDITION: The cut-off has become difficult.	
CAUSE	REMEDY
1. Strap residue jamming cutter mechanism.	1. Clean parts as required.
2. Cutter blade worn or damaged adjustability.	2. Replace as required.

#14 CONDITION: Welded strap is misaligned.	
CAUSE	REMEDY
1. The tool is not being operated properly.	1. Review operating instruction shown in this manual for proper operation of tool.
2. Teeth of upper weld gripper (Key 62) or lower weld gripper (Key 50) are damaged.	2. Replace damaged parts as needed.
3. Teeth of feedwheel (Key 47) or tension gripper (Key 48) are damaged.	3. Replace damaged parts as needed.

MAINTENANCE

TOOL

1. Clean the teeth on the feedwheel and the gripper plug with the special brush provided.
3. Periodically clean the tool with compressed air.
4. Disassemble, clean and lubricate the welding mechanism.

GEAR HOUSING

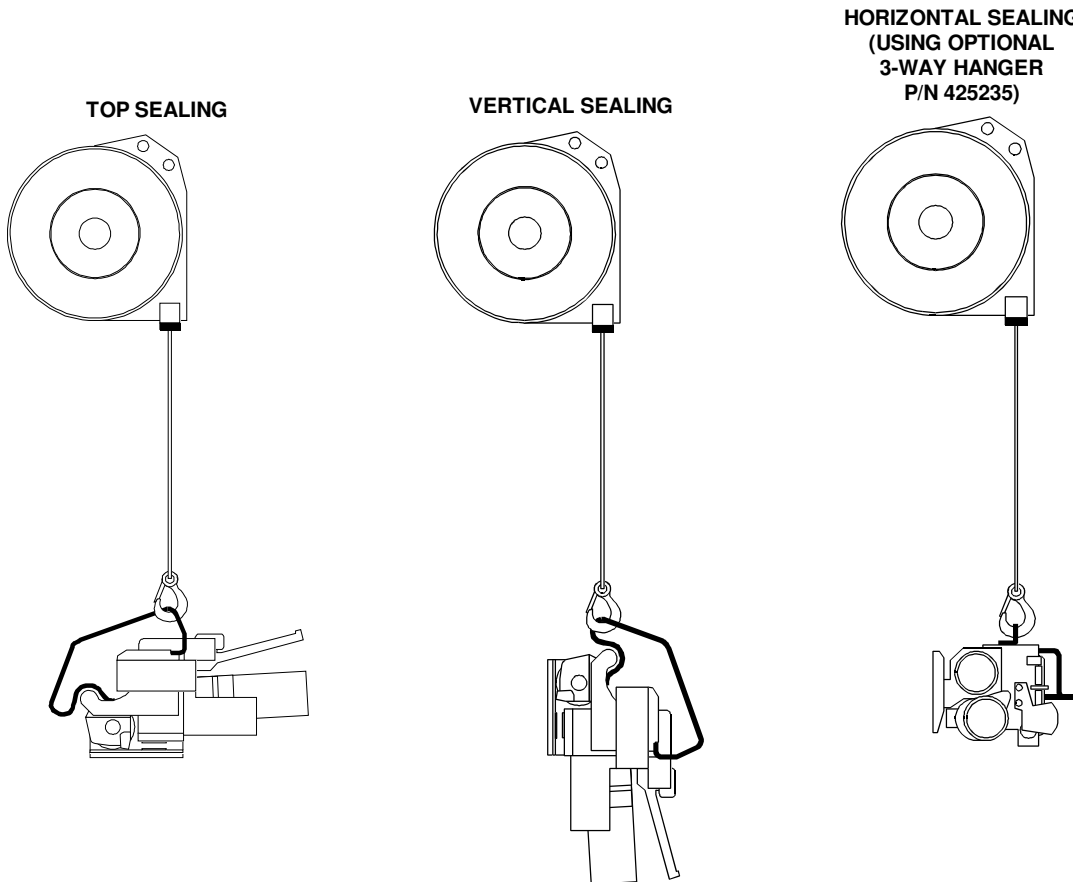
Periodically check the gear housing portion of the tool:

1. Remove the end cap from the front of the gear housing by removing the set screw and pulling the end cap off.
2. Check for adequate lubrication and wear of the Spiroid worm gear and ring gear.
3. This portion of the tool should be one-third full of gear grease.
4. Reinstall the end cap.

OPTIONAL OVERHEAD SUSPENSION

To work effectively, your VT tool must be properly installed. This installation includes, in some cases, proper suspension of the tool over the container to be strapped, and the proper placement of a strapping dispenser to provide a continuous easy supply of strapping for the application. The VT can be suspended in various operating positions by using the proper tool hanger and hardware.

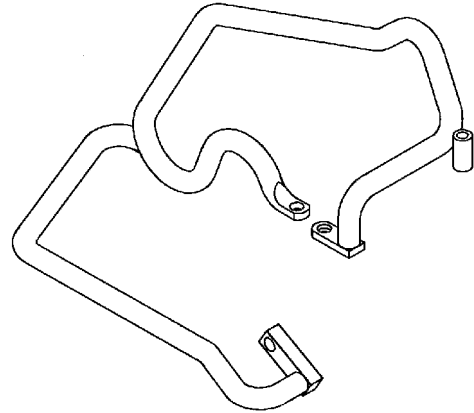
Review the illustrations below for the appropriate configuration for the tool application. Applications are recommended to use an Overhead Tool Balancer as shown (Signode Part No. 306809).



OPTIONAL 3-WAY TOOL HANGER, PART NO. 425235

This option allows the operator to suspend the VT tool from its side to allow for easier horizontal strapping applications as well as top and side sealing applications. The hanger replaces the standard VT tool hanger.

NOTE: Hanger is supplied with additional M5x16 socket head cap screws (Part No. 170304) for mounting the hanger to the tool.





EU Declaration of Conformity
The Supply of Machinery (safety) Regulations
1992 (S.I. 1992/3073)

It is hereby declared that the undermentioned machinery has been designed and constructed to comply with the health and safety requirements defined in EC Directive 89/392/EEC

Machine Supplier: Signode, Division of ITW Ltd.
Queensway, Fforestfach
Swansea SA5 4ED

Machine Description: VT Series

Machine Type: Pneumatic Combination Hand Strapping tool.

Provisions with which machine complies:

89/392/EEC, 91/368/EEC

Harmonized EuroNorms with which machine complies:

EN 292:1, EN 292:2, EN 294, EN 349

Technical Standards with which machine complies:

NA

Signature:

A handwritten signature in black ink, appearing to read 'Peter Oseland', with a horizontal line underneath.

Date: 1 September 2005

(Peter Oseland)

SIGNODE NEW TOOL WARRANTY

Signode Engineered Products Warrants that a new Signode strapping tool will operate per functional specifications for a period of sixty (60) days after the date of shipment to the owner's place of business. Normal wearing parts, as outlined in the Operation, Parts & Safety manual, are covered by a thirty (30) day warranty unless, in Signode's judgement, these parts have been subjected to abnormal or extreme usage. Signode's sole liability hereunder will be to repair or replace, without charge, F.O.B. Signode's Glenview, Illinois plant, any tool which proves to not operate per functional specifications within the stated period. Signode reserves the right to replace any tool which proves not to operate per functional specifications with a new or like-new tool of the same model if in Signode's judgement such replacement is appropriate. Any new replacement tool provided to an owner will carry a full sixty (60) day warranty. Any warranty repaired tool or like-new replacement tool will carry a warranty for the balance of the time remaining on the initial sixty (60) day warranty. This warranty will be extended to compensate for the time the tool is in Signode's possession for warranty repairs.

This warranty is void as to any tool which has been: (I) subjected to mis-use, misapplication, accident, damage, or repaired with other than genuine Signode replacement parts, (II) improperly maintained, or adjusted, or damaged in transit or handling; (III) used with improperly filtered, unlubricated air or improper strapping material, (IV) in Signode's opinion, altered or repaired in a way that affects or detracts from the performance of the tool.

SIGNODE MAKES NO WARRANTY, EXPRESSED OR IMPLIED, RELATING TO MERCHANTABILITY, FITNESS OR OTHERWISE EXCEPT AS STATED ABOVE AND SIGNODE'S LIABILITY AS ASSUMED ABOVE IS IN LIEU OF ALL OTHERS ARISING OUT OF OR IN CONNECTION WITH THE USE AND PERFORMANCE OF THE TOOL. IT IS EXPRESSLY UNDERSTOOD THAT SIGNODE SHALL IN NO EVENT BE LIABLE FOR ANY INDIRECT OR CONSEQUENTIAL DAMAGES INCLUDING, BUT NOT LIMITED TO, DAMAGES WHICH MAY ARISE FROM LOSS OF ANTICIPATED PROFITS OR PRODUCTION, SPOILAGE OF MATERIALS, INCREASED COSTS OF OPERATION OR OTHERWISE.

Considerable effort has been made to ensure that this product conforms to our high quality standards. However, should you experience any difficulties, please contact your Sales Representative providing samples and the manufacturing code specified on the tool.

Thank you for your help.

SIGNODE ENGINEERED PRODUCTS
Hand Tool Division
3620 W. Lake Avenue, Glenview, Illinois 60025

PART #	DESCRIPTION	AREA OF USE
LUBRICANTS		
008556	LS-1236 AIR LINE OIL	AIR MOTORS, AIR VALVES
422792	WHITE LUBRIPLATE GR-132 GREASE	PNEUMATIC PARTS, AIR CYLINDERS, AIR VALVES, O-RINGS
422793	BLACK LUBRIPLATE 3000W GREASE	MOVING EXTERNAL PARTS, JAWS, LINKS
425239	RED MOBILITH SHC 007 GREASE	INTERNAL GEARS
432322	EP ACCROLUBE GREASE	HIGH FRICTION CONTACT PARTS
ADHESIVES		
274111	LOCTITE #380 BLACK MAX	PERMANENT, FLAT SURFACE PART CONTACT
422794	LOCTITE #222 PURPLE	LOW STRENGTH, SCREWS 1/4" (6MM) OR SMALLER SIZES
422795	LOCTITE #242 BLUE	MEDIUM STRENGTH, SCREWS 5/16" (8MM) OR LARGER SIZES
422796	LOCTITE #271 RED	HIGH STRENGTH, SEMI-PERMANENT SCREW APPLICATION
422797	LOCTITE #609 GREEN	PERMANENT, CURVED SURFACE PART CONTACT
CLEANING BRUSHES		
023963	SMALL BRUSH	FEEDWHEEL & GRIPPER TEETH
269589	LARGE BRUSH	FEEDWHEEL & GRIPPER TEETH